

Equipment – Barrel Handling – Barrel Grabs



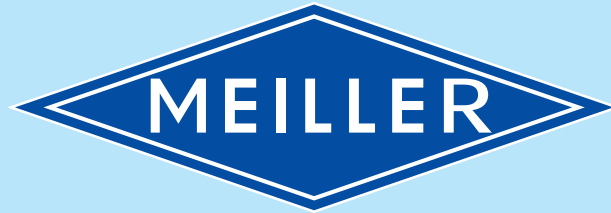
All products direct from the manufacturer

THE WHOLE BARREL RANGE

2nd edition

- Lifting
- Tilting
- Emptying
- Filling
- Mixing
- Storing
- Transporting





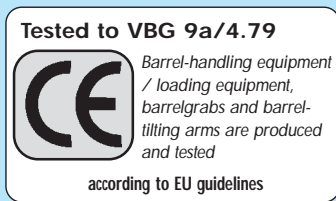
planning, production and delivery

A long-standing company with 80 years of experience in the field of barrel and storage technology and the construction of lifting gear.

We have a solution to your task thanks to our years of practical experience and highest standards of quality.

All **MEILLER** products are certified according to regulation.

Handling equipment



Machines 98/37/EG

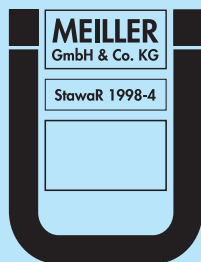
MEILLER is a specialised company tested and approved according to § 19 I of the Water-Resources Law.

Our production complies fully with current regulations such as TRbFand StawaR.

For our products in the fields of toxic-substance storage / surface-protection elements, basement water-proofing, compartment containers, tank containers, spillage tanks in standard and special designs, storage containers, barrel-stacking pallets, safety-module containers

-please ask for our catalogue-

General
Approval of Construction-
Supervisory Authority, list A, part 1
DIBt. Berlin



Since 1983 we have been producing bicycle and car shelters, bicycle stands, tables and benches successfully using purchased parts. (Please ask for our catalogue).

We carry out high-precision laser cutting operations on steel, stainless-steel and aluminium using our NC laser cutting unit with loading and unloading machinery. The material is for our own production as well as contract work. (Enquiries welcome).

Contents:

Page:	Description
04	Barrel trolleys for steel and plastic barrels
05	Barrel tilter for 50, 100 and 200 litre barrels
06	Barrel tilter for steel and plastic barrels
07 – 08	Barrel-handling equipment
09 – 11	Barrel transport
12 – 14	Barrel-grab / barrel harness
15	Barrel-tilting grabs / beams
16	Barrel-turners / adjustable beams / barrel-tilting beams
17 – 20	Fork-lift add-on systems
21	Barrel manipulator
22	Special types for cranes and fork-lifts
23 – 24	Barrel mixing units / mixing stations / elevators and turners
25	High-lift truck for stacking shelves
26	High-lift trucks / lifting and tilting units
27	Barrel-storage systems to WHG
28	Heavy-duty pallet drawers for storage-shelf systems
29	Work platforms
30 – 31	Long-material cassettes / chassis
32	Crane jibs as fork-lift add-on units
33 – 35	Workshop and assembly cranes, manual and electrically powered
36 – 37	Mobile industrial cranes

Made in Germany





Our 3 KW laser unit with a working range of 1500 x 3000 mm cuts steel sheet up to 20 mm, stainless steel up to 8 mm and aluminium up to 6 mm in thickness with maximum precision and absolutely free of burrs.



Steel-sheet processing to customer specification



Following restructuring, our highly modern machine park is also available for contract work to your specification e.g.

- CNC edging presses for production of edged profiles up to 6100 mm in length and 6.0 mm in thickness
- Cuts of up to 4000 mm in length and 8 mm in thickness
- Sawing and cutting to length / mitre cutting on automatic CNC machinery
- Manual or automatic welding by 2 welding robots
- Stamping and punching on semi-automatic machinery to lengths of up to 6000 mm

For more information, contact:
Mr. Gies - Tel. +49(0)29 72 / 97 42-19





Art. no. FK-120

Barrel trolley for 120 l plastic barrels

Art. no.	Description
FK-120	Barrel trolley for transport or filling stand, with belt, pneumatic tyres Ø 260 mm, Dimensions 470 x 1350 mm, max. load 200 kg finish: paint colour RAL 5015

Art. no. 1026-1



Barrel-transport trolley

for plastic and steel barrels with pneumatic tyres

- For placing on storage pallets up to max. 400 mm high
- Strap included
- Suitable for use as filling stand
- Finish: paint colour RAL 5015

Art. no.	Description
1026-1	Barrel-transport trolley
	Accessories
VG	Solid rubber wheels Ø 400 mm



Barrel trolley without support wheel, Solid-rubber wheels Ø 250 mm, Dimensions: 660 x 1600 mm, Finish: paint colour RAL 5015 Max. load: 400 kg
Art. no. 1029-1



Barrel trolley with support wheel, Solid-rubber wheels Ø 250 mm, Dimensions: 660 x 1600 mm, Finish: paint colour RAL 5015 Max. load: 400 kg
Art. no. 1029-2



Barrel-transport trolley with pneumatic tyres Ø 400 mm and 4 twin barrel rollers Ø 50 mm

- Transport of steel barrels
- For placing on storage pallets up to max. 400 mm in height
- Suitable as filling stand
- Finish: paint colour RAL 5015



Barrel trolley without support wheel, Pneumatic tyres Ø 260 mm, Dimensions: 660 x 1600 mm, Finish: paint colour RAL 5015 Max. load: 400 kg
Art. no. 1029-3



Barrel trolley with support wheel, Pneumatic tyres Ø 260 mm, Dimensions: 660 x 1600 mm, Finish: paint colour RAL 5015 Max. load: 400 kg
Art. no. 1029-4



Art. no. 1027-1 in filling position

Art. no.	Description
1027-1	Barrel-transport trolley
	Accessories
TR	Metal support rollers (1 pair)
VG	Solid rubber wheels Ø 400 mm

Barrel tilter

Our best idea since the invention of barrels

The barrel tilters for 50, 60, 100 and 250 litre barrels, designed as handling devices are simple and effective aids for positioning barrels and pouring liquids which may be hazardous to water resources.

Function:

The barrels are lifting in the upright position, locked in position with the lever and then moved into transporting or pouring position by means of the roller runners.

Finish: paint colour RAL 5015



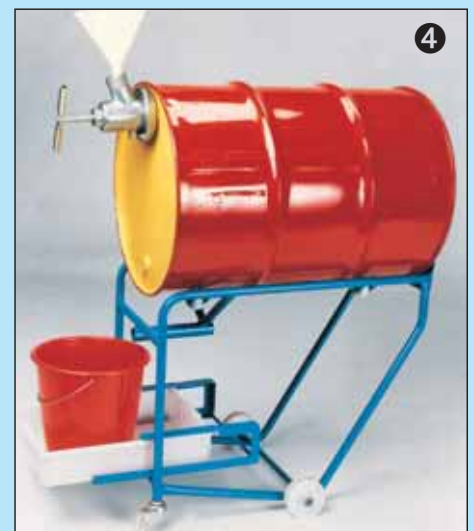
Fig.	Type:	Pouring height mm	Dimensions WxL mm	Wheel Ø mm fixed / swivel wheels	Weight kg	Art. no.
1	for 200 litre barrels with PVC barrel rollers	550	500 x 830	125/100	18,0	1032-1
2	for 50-/60 litre barrels with PVC barrel rollers	400	360 x 600	100/50	13,0	1030-1
3	for 50-/60 litre barrels with steel collector basin, capacity 61 litres	550	460 x 850	100/-	29,0	1030-W
4	for 100 litre barrels with PVC barrel rollers	450	380 x 700	100/50	16,0	1031-1



Barrel tilter for 50-/60 litre barrels



Barrel tilter for 50-/60 litre barrels with collector basin, vol. 100%



Barrel tilter for 100 litre barrels

Accessories :

Type:	Art. no.	
For barrel tilter of size:		
Lever rod with PVC grip 200 l	1032-0	
Lever rod with PVC grip 50/100 l	1031-0	

Type:	Art. no.	
For barrel tilter of size:		
Plastic drip collector, 50/100/200 l	KW	
Metal support rollers, 100/200 l	TR	



Barrel tilter with tank 1035-1

Barrel tilter

- with large tank
100% collector volume
- Wheel set:
2x solid-rubber wheels 200 mm Ø
2 support legs
- Finish: paint colour RAL 5015

Safe pollution-free storage and pouring of water-hazardous fluids.

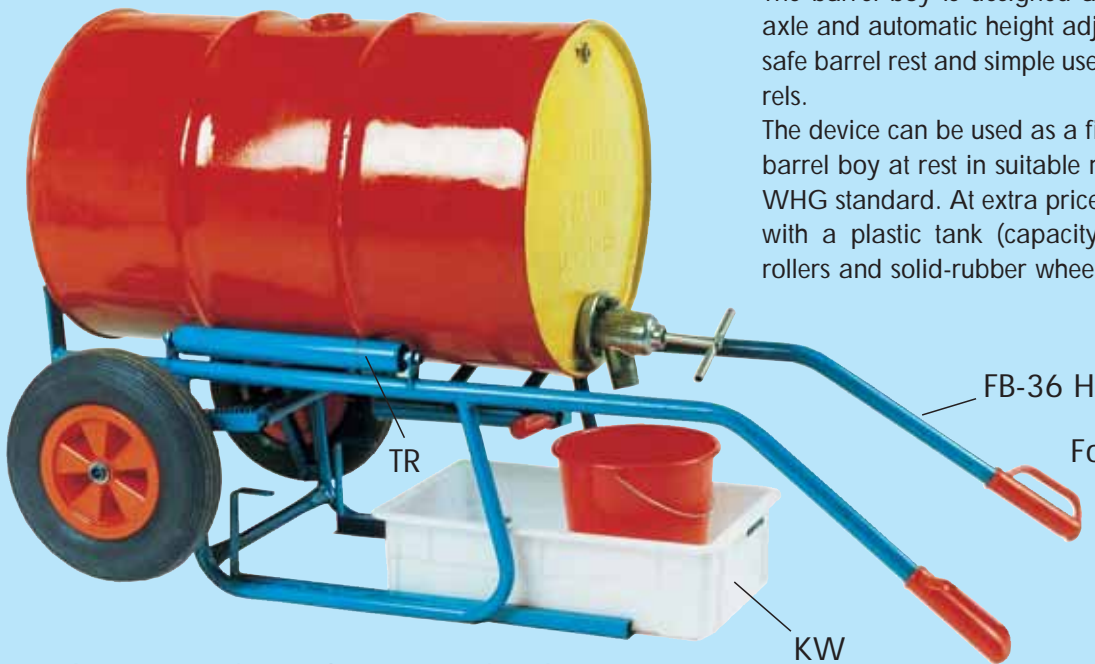
Art. no.	Description
1035-1	Barrel tilter for 200 litre barrels with PVC barrel rollers, incl. collector tank (capacity 203 l)
TR	Metal support rollers
1032-0	Lever rod with PVC grip



Barrel tilter with collector tank for 220 litre plastic barrels

Art. no.	Description
1035-K	Barrel tilter with collector tank, capacity 229 l, Wheel set of solid rubber, Ø 200 mm, Dimensions 650x1500 mm, pouring height 600 mm
1032-0	Lever rod with PVC grip

Barrel boy



For transporting
200-litre barrels
– optionally as
filling point

With "swing axle" and automatic height compensation

The ideal handling device for transport, storage and filling of 200-litre barrels.

The barrel boy is designed as a universal device with swing axle and automatic height adjustment. Its main features are its safe barrel rest and simple use as a means of transporting barrels.

The device can be used as a filling point simply by placing the barrel boy at rest in suitable rooms fitted with floor sealing to WHG standard. At extra price, the barrel boy can be supplied with a plastic tank (capacity 27 litres), with metal support rollers and solid-rubber wheels Ø 400 mm.



Barrel boy in travel position

Barrel trolley and tilter for combined use of 200-litre rolling hoops and channel drums with a max. load-bearing capacity of 400 kg. Push against barrel, engage arrester hook, tilt back and move off.

Finish: paint colour RAL 5015

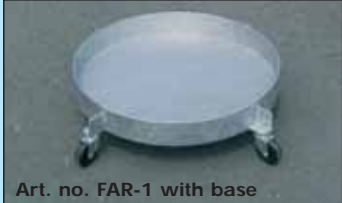
Art. no.	Description
FB 36 H	Barrel boy, pneumatic tyres Ø 400 mm, Dimensions 800 x 1450 mm, pouring height 450 mm,
KW	Plastic drip collector, capacity 27 l
VG	Solid-rubber wheels Ø 400 mm
TR	Metal support rollers Ø 50 mm

Drum tilter

Constructed of welded steel tubing, coated, with permanent surface protection, impact and scratch proof with adjustable holding-down clamp Holder for 60-litre drum.

Design:
Paint colour RAL 5015
Width x length: 335 x 415 mm
W x H (in stand): 470 x 1250 mm
Length (in stand): 900 mm
Length (tilted): 1200 mm

Art. no.	Type
1028-3	stationary
1028-4	mobile with polyamide wheels Ø 100 mm



Barrel roller for all barrels up to 200 litres capacity, hot galvanized, 4 polyamide swivel rollers Ø 75 mm, inner Ø = 610 mm, Underclearance: 100 mm

FAR-1: closed type with tight-welded base, edge height: 80 mm
FAR-2: open type, edge type 30 mm

Art. no.	Type
FAR-1	with base
FAR-2	open

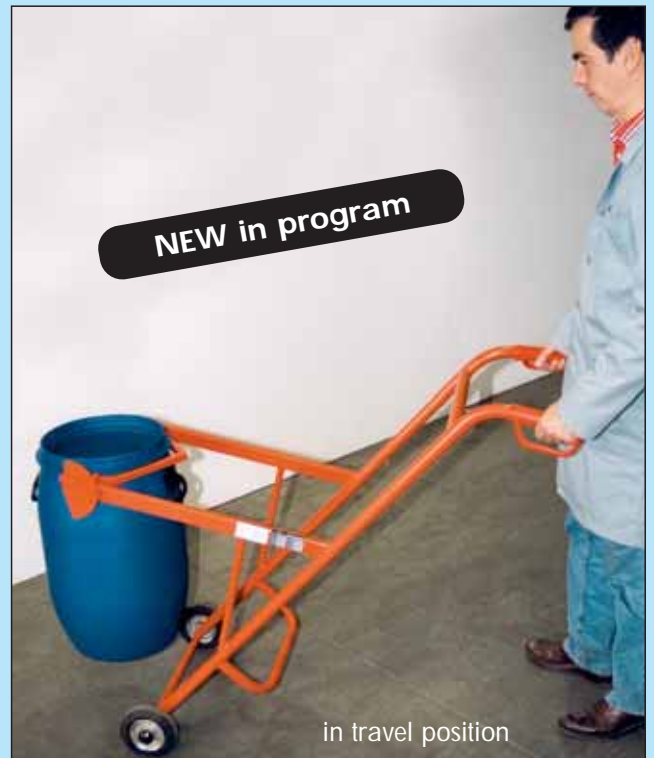
Barrel transporter for 60-litre plastic barrels - type "Barrelfix"



Barrel transporter type "Barrelfix" with narrow forks for picking up 60-litre plastic barrels.

Design and function: the barrel transporter with manual pushing grips, wheel set and pick-up forks is pushed against the top edge of the barrel, lifted and moved away. The barrel swings freely in the holder. Barrel pick-up: in standing position from the floor or from the pallet 150 mm high.

Finish: paint colour RAL 2000



Art. no.	Description
FA-F	Barrel transporter "Barrelfix" Wheel set: 2 x Ø 120 mm Solid rubber



Hydraulic barrel tilter "Universal"

The hydraulic barrel tilter "Universal" max. load 300 kg, with roller rests for 200-litre barrels (height-adjustable) and with forks for pushing under the barrel, is suitable for filling barrels with carefully calculated quantities. It can also be supplied with a working and installation platform 800 x 1000 mm as required. The hydraulic system (with venting valve) for lifting and tilting by 90° is controlled manually. The barrel is lifted from the standing position on floor or on pallet.

Finish: paint colour RAL 5015



Art. no.	Description
H-FK 300	Hydr. tilter "Universal" for 200-litre barrels
H-FK 301	Hydr. tilter "Universal" for 200-litre barrels with working and installation table
	Wheel set: 2 x swivel wheels 140 mm Ø solid rubber 2 x lift-truck wheels 80 mm Ø solid rubber

Barrel transporter (lifter) for 200-litre steel barrels with V-angle chassis



Pick-up from ground



With chassis over pallet



Bracketing position

Model LB 301 / 302 with V-angle chassis

Wheel set:

2 x swivel wheels, solid rubber D = 140 mm with total brake
2 x fixed wheels, solid rubber

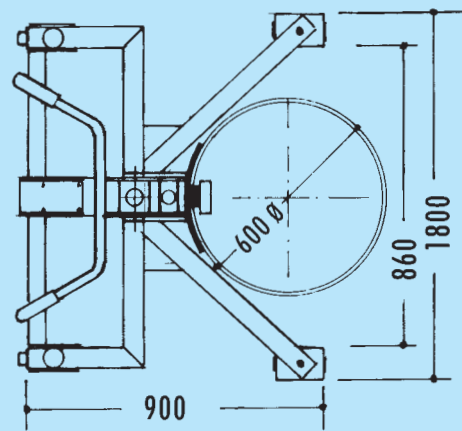
Description:

The newly designed barrel transporter, model LB 301 / 302 is fitted with an automatic clamping device for the top edge of the barrel or the body of the barrel. It is suitable for gripping 200-litre barrels. The V-angle chassis can be pushed over the Europallet or the pallet can be approached diagonally from one of its corners. The barrel can be picked up from the ground or from a pallet (see fig. above).

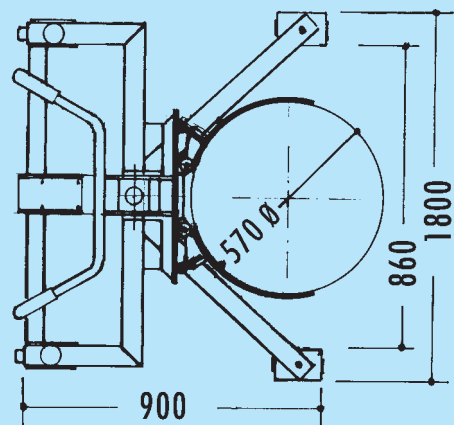
The lifting height from the floor to the bottom edge of the barrel is 550 mm.

Finish: paint colour RAL 2000

Technical data	
Art. no. LB 301 with V-angle chassis and automatic clamp for top edge of barrel	
Art. no. LB 302 with V-angle chassis and automatic clamp for body of barrel	
Max. load	300 kg
Lift height	550 mm
Height of V-angle chassis	180 mm
Dimensions L x W x H (retracted)	900 x 1080 x 1400 mm
Height (extended)	1950 mm



Model LB 301 with automatic clamp for top edge of barrel



Model LB 302 with automatic clamp for body of barrel

Barrel transporter (lifter) for 200-litre steel barrels with automatic clamp for top edge of barrel



LB-300 PA-E



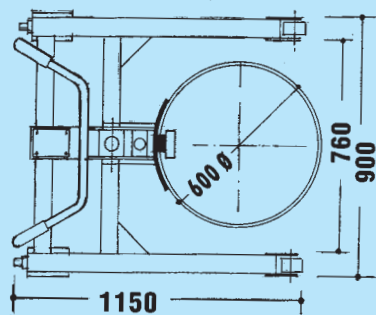
LB-300 PA

Model LB 300 PA-E

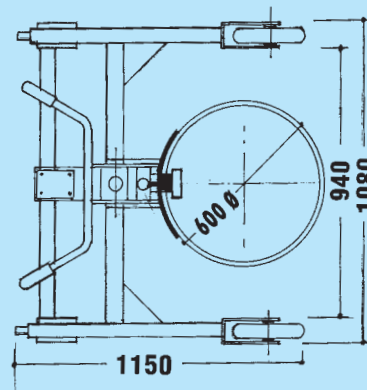
with chassis passing under object

Model LB 300 PA

with chassis passing over Europallets



Wheel set:
2 x polyamide wheels
80 mm Ø
2 x swivel wheels/
solid rubber
140 mm Ø
with total brake



Wheel set:
2 x solid rubber wheels
250 mm Ø
2 x swivel wheels/
solid rubber
140 mm Ø
with total brake

Model LB 300 PA-E with chassis moving beneath object is especially suitable for loading containers, shelves and barrel pallets.

Function / Operation

For easy moving and lifting of 200-litre barrels onto pallets or collector tanks. Barrels resting on the ground are clamped and held safely by the automatic clamping device. The barrel is then lowered and released by means of the manual lever. The barrel is lifted by means of the pump lever on the hydraulic pump. The lowering process is precisely controlled by the venting valve.

All models are fitted with solid-rubber wheels. The swivel wheels are fitted with total brakes. The standard hydraulic lifting stroke is 550 mm. Maximum stroke in special models, 1200 mm.

Finish: paint colour RAL 2000

Technical data			
Art. no.	LB 300 PA-E	LB 300 S01	LB 300 S02
Type with chassis moving under object			
Max. load	300 kg	300 kg	300 kg
Lift height	550 mm	900 mm	1200 mm
Chassis height	80 mm	80 mm	80 mm
Dimensions L x H	1150 x 1400 mm	1150 x 1750 mm	1150 x 2050 mm

Technical data		
Art. no.	LB 300 PA	LB 300 PA-H
Type with chassis passing over pallet		
Max. load	300 kg	300 kg
Lift height	550 mm	550 mm
Chassis height	160 mm	410 mm
Dimensions L x H	1150 x 1350 mm	1100 x 1400 mm

Barrel transporter (lifter) with automatic clamp for barrel body

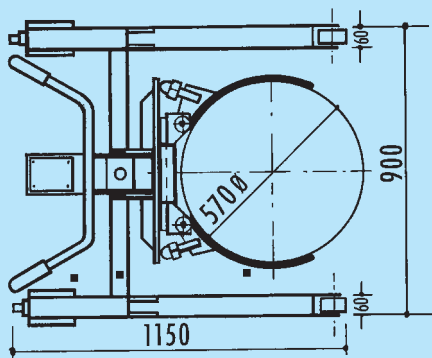


Model LB 300 PA-E/V

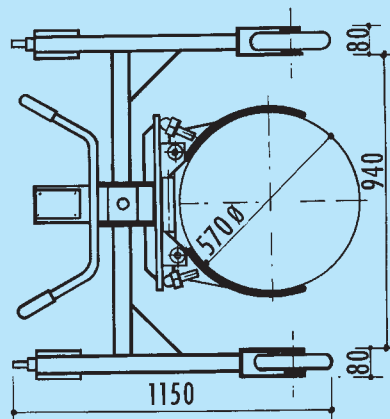
with chassis passing beneath object

Model LB 300 PA/V

with chassis passing above Europallet



Wheel set:
 2 x polyamide wheels
 80 mm Ø
 2 x swivel wheels/
 solid rubber
 140 mm Ø
 with total brake



Wheel set:
 2 x solid rubber wheels
 250 mm Ø
 2 x swivel wheels/
 solid rubber
 140 mm Ø
 with total brake

Function / operation

The barrel transporter in the starting position is pushed against the barrel and is then clamped automatically, i.e. the grab arms open diagonally upwards due to the pressure exerted. They drop back as soon as they have passed the middle of the barrel. The barrel is lifted by means of the manual hydraulic pump and can be transported safely. The barrel is released automatically when it is lowered. The barrel transporter is then pulled back.
 Finish: paint colour RAL 2000

Technical data	
Art. no. LB 300 PA-E/V with chassis passing under object	
Max. load approx.	300 kg
Lift height	550 mm
Weight approx.	75 kg

Technical data	
Art. no. LB 300 PA/V with chassis passing over pallet	
Max. load approx.	300 kg
Lift height	550 mm
Chassis height	180 mm
Weight approx.	75 kg

Multi-purpose barrel grab - tested for safety -



Engagement of barrel in upright position

For 200-litre steel barrels, horizontal or upright

For 200-litre steel barrels on their side or upright with or without locking device. The extendable turning claws with push-in connection can be adapted for the specific purpose intended. The multi-purpose barrel grab is suspended from a load hook.

Max. load: 400 kg.

Finish: paint colour RAL 2000



Engagement of barrel in horizontal position

Art. no.	Type
KOZ-40 H	without locking device
KOZ-40 HA	with locking device

Barrel clamp



- Component: of high-strength steel
- Max. load = 500 kg

Art. no.	Type
KLE-50 H	with shackle
KLE-50 HK	with shackle and chain harness with ring (600 mm long)

Grab with clamping claws

for plastic barrels

Finish: paint colour RAL 2000

Design:

with 4-point clamping system

Locking device and lever



- For standard lid barrels (capacity: 120 l)
- Manual operation

Holder Ø = 395 mm/body Ø = 492 mm	
Max. load approx.	Art. no.
360 kg	FSP-K1-36 H



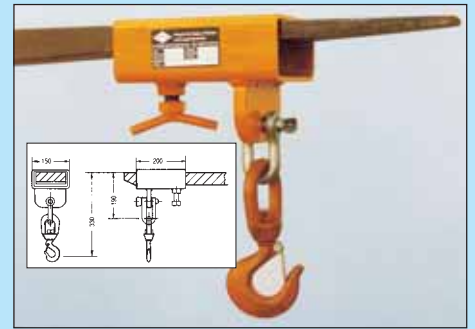
- For L-ring barrels (capacity: 220 l)
- Manual operation

Holder body Ø = 598 mm	
Max. load approx.	Art. no.
360 kg	FSP-K2-36 H

Loading hook

Position one truck fork in the centre. Lift loading hook and tighten butterfly nut.

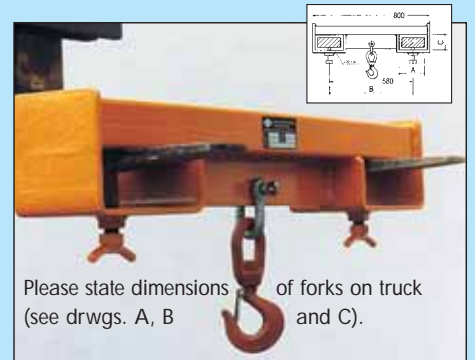
Finish: paint colour RAL 2000



Dimensions: WxHxL: 150 x 75 x 200 mm		
Max. load	Art. no. with shackle	Art. no. with shackle and rotating hook
2000 kg	2003	2004

Load beam for truck forks

Finish: paint colour RAL 2000



Please state dimensions of forks on truck (see drwgs. A, B and C).

	Art. no. with shackle	Art. no. with shackle and rotating hook
Max. load		
2000 kg	2001	2002
3000 kg	3001	3002
4000 kg	4001	4002
5000 kg	5001	5002



Barrel grab with clamping claw

- For 200-litre roll-hoop or channel drums
- Manual operation
- For open and closed steel-bodied barrels

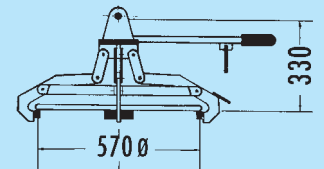
Design:

With 4-point clamping system
locking device and hand lever

Paint colour RAL 2000

Barrel Ø 570-590 mm	
Max. load approx.	Art. no.
360 kg	FSP-36 H

- For lifting upright barrels -



Barrel grab with band

- For 200-litre roll-hoop or channel drums
- Manual operation

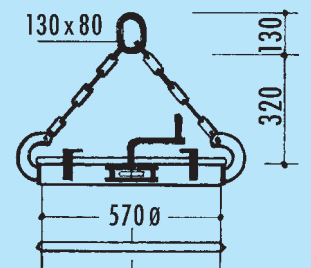
Design:

with toggle-lever clamp
with fine-adjustment device
chain harness and suspension ring

Paint colour RAL 2000

Barrel Ø 570-590 mm	
Max. load approx.	Art. no.
600 kg	BG-600 H

- For lifting upright barrels -



Barrel clamp

- For closed 200-litre barrels
- For 200-litre roll-hoop or channel drums
- Manual operation

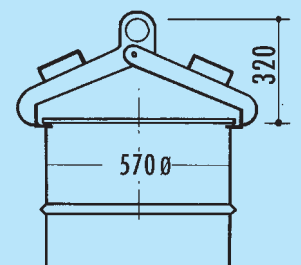
Design:

with suspension ring for load hook,
grab arm with holding claws, hand grip etc.

Paint colour RAL 2000

Barrel Ø 570-590 mm	
Max. load approx.	Art. no.
400 kg	FKL-40 H

- For lifting upright barrels -



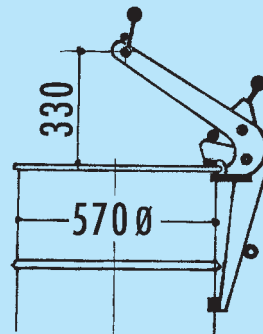
Barrel-edge grab with clamping claw

- For 200-litre roll-hoop or channel drums
- Manual operation

Design:

with safety locking claw,
shackle for load hook
Paint colour RAL 2000

Barrel Ø 570-590 mm	
Max. load approx.	Art. no.
500 kg	FSP-R-50 H



-For lifting upright or horizontal barrels-



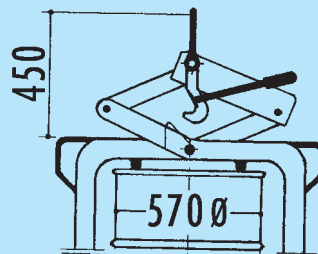
Barrel grab

- For 200-litre roll-hoop or channel drums
- Manual operation

Design:

Scissor-type design,
with non-slip rubberised grab pads,
Locking device with manual lever
Paint colour RAL 2000

Barrel body Ø 570-590 mm	
Max. holder length, 900 mm	
Max. load approx.	Art. no.
360 kg	FST-36 H



- For lifting upright barrels-



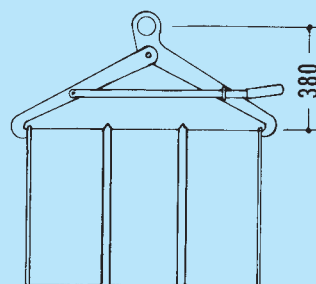
Barrel pincer grab

- For 200-litre roll-hoop and channel drums
- Manual operation

Design:

with suspension ring for load hook,
Locking device with manual lever
Paint colour RAL 2000

Lifting Ø for all barrels	
Lifting length 760-910 mm	
Max. load approx.	Art. no.
360 kg	FZ-36 H



- For lifting barrels on their sides-





Heavy-duty tilting beams

For 200-litre heavy-duty barrels, max. load 1200 kg

Barrel holder:

with safety console, spindle / clip band closure and height-adjustable claw lock with spring bolt
Possible tilting angle for barrel: 360°.

Design:

with contrate worm-gear mechanism, manual wheel and wheel handle. Alternative: chain hoist, 2,0 m dangling

Paint colour RAL 2000

Max. load approx.	1200 kg
Barrel body Ø 570 mm	
-with hand wheel and wheel handle	FKT-SO 1,2 H/HR
-with chain hoist	FKT-SO 1,2 H/HK



Tilting barrel grab

for upright barrels or barrels on their sides

Barrel holder:

automatic pick-up by lifting and fixing the height-adjustable legs fitted with rollers. Tilting barrel holder with ring for load hook, with anti-slip grab pads and mounted worm-gear mechanism with hand wheel, optional chain hoist, dangling 2.0 m.

Paint colour RAL 2000

Max. load approx.	250 kg	400 kg
Barrel body Ø 570 mm		
Dimensions: from centre of rotating axis to bottom edge of lifting ring approx. 1.250 m		
-with hand wheel and wheel handle	FKG-25 H/HR	FKG-40 H/HR
-with chain hoist	FKG-25 H/HK	FKG-40 H/HK



Tilting barrel grab

for upright barrels or barrels resting on their sides with manual turning device

Barrel holder:

automatic pick-up by raising and fixing the height-adjustable rests fitted with rollers.

- for 200-litre roll-hoop or channel drums
- precise emptying by hand
- Max. turning range of barrel: 180°
- Finish: paint colour RAL 2000

Max. load approx.	250 kg	400 kg
Barrel body Ø 570 mm		
Dimensions: from centre of rotating axis to bottom edge of lifting ring approx. 1.250 mm		
Art. no.	FKG-I 25 H	FKG-II 40 H



Barrel-tilting beam

-for fork-lift / hook

- For plastic and steel barrels
- For upright barrels with a Ø of 380-600 mm and 900 mm in height
- Manual operation by hand wheel or chain hoist, 2,0 m dangling
- Max. turning range of barrel: 360°
- With engaging rings for load hook or fork-lift pockets as required
- Worm gear, self-locking and maintenance-free

With holder box and height-adjustable safety lock for barrels of different sizes. Finish: paint colour RAL 2000

Type without fork-lift pockets		
Max. load	250 kg	400 kg
-with hand wheel and wheel handle	FKT-K 25 H/HR	FKT-K 40 H/HR
-with chain hoist	FKT-K 25 H/HK	FKT-K 40 H/HK
Type with fork-lift pockets		
Dimensions: 140 x 60 mm		
Distance between forks		
Centre-centre = 470 mm		
Max. load	250 kg	400 kg
-with hand wheel and wheel handle	FKT-K 25 H-G/HR	FKT-K 40 H-G/HR
-with chain hoist	FKT-K 25 H-G/HK	FKT-K 40 H-G/HK



Barrel tilting beam

with "pneumatic" turning mechanism. Also available as explosion-proof type to guidelines 94/9/EG
- ATEX 95-Zone 2 available
- Available on request-

- Max. turning range of barrel: 360°
- Manual operation by control slide

Beam with ring for load hook, mounted worm-gear mechanism with DRL-Motor 25 M2, self-locking.

Required pressure = 6 bar

Barrel holder: bands, rubberised on inside, riveted into position, with height-adjustable safety locking system, holding claws and spring bolt. Finish: paint colour RAL 2000

Lock: ratchet-lock strap

Max. load approx.	400 kg
Barrel body Ø 570 mm	
Art. no.	FKT-P 40 H
in explosion-proof design	FKT-P 40 H/EX
2 fork-lift pockets	

Barrel turner

as fork-lift add-on unit for sideways emptying of barre

- For 200-litre roll-hoop or channel drums
- Precise emptying at any height
- Easy operation with hand wheel or 2,0-meter dangling endless chain
- Rotatable to 360° - finish: paint colour RAL 2000

Load capacity	360 kg
Barrel-body Ø	570 mm
Cross-section of fork-lift pockets	200 x 90 mm
Fork distance, centre-centre	510 mm
Fork length	800 mm
- with hand wheel and wheel handle	FA-W/HR
- with chain hoist	FA-W/HK

- The grab pads are extended for 200-litre lid barrels with smooth body Barrel turner
- Lock: 2 ratchet-lock straps



Adjustable beam - fork-lift / load hook -

- For barrels with Ø 380-600 mm x 900 mm in height
- For plastic barrels of special type on request
- Manual operation by hand wheel or chain hoist

Adjustable beam (type "Spannfix") with ring for load hook or fork-lift pockets as required, complete with height-adjustable rests fitted with rollers, suitable for lifting steel barrels in vertical or horizontal positions with diameters of between 380 and 600 mm and maximum height of 900 mm. They are clamped into position by operating the adjusting spindle with hand wheel and safety lock. The precise turning movement (max. 360°) is executed by turning the worm-gear mechanism with hand wheel or by optional dangling 2,0 m chain hoist. Finish: paint colour RAL 2000

Type without fork-lift pockets		
Max. load	250 kg	400 kg
- with hand wheel and wheel handle	VKT-25 H/HR	VKT-40 H/HR
- with chain hoist	VKT-25 H/HK	VKT-40 H/HK
Type with fork-lift pockets		
Dimensions: 200 x 75 mm		
Distance between forks centre-centre = 440 mm		
Max. load	250 kg	400 kg
- with hand wheel and wheel handle	VKT-25 H-G/HR	VKT-40 H-G/HR
- with chain hoist	VKT-25 H-G/HK	VKT-40 H-G/HK



Beam suspension system:
with fork-lift truck or crane

Barrel-tilting beam

- For upright 200-litre roll-hoop or channel drums, barrel-body Ø 570 mm
- Precise emptying
- Manual operation by hand wheel or chain hoist
- Max. turning range of barrel: 360°

Beam with suspension ring for load hook or with fork-lift pockets, mounted worm-gear mechanism with hand wheel or with dangling 2,0-metre chain hoist, fully maintenance-free and self-locking.

Barrel holder: with bands, rubberised on inside and riveted into position.

Lock: ratchet-lock strap

Finish: paint colour RAL 2000

Type without fork-lift pockets		
Max. load	250 kg	400 kg
-with hand wheel and wheel handle	FKT-25 H/HR	FKT-40 H/HR
-with chain hoist	FKT-25 H/HK	FKT-40 H/HK
Type with fork-lift pockets		
Dimensions: 150 x 75 mm		
Distance between forks centre-centre = 470 mm		
Max. load	250 kg	400 kg
-with hand wheel and wheel handle	FKT-25 H-G/HR	FKT-40 H-G/HR
-with chain hoist	FKT-25 H-G/HK	FKT-40 H-G/HK



Turning gear:
maintenance-free,
self-locking

Barrel tilter for mounting on fork-lift trucks

Design features:

- For upright 200-litre roll-hoop or channel drums
- Type with holding box for steel and plastic barrels (art. no. FKT-ST-K)
- Holding frame with fork-lift pockets
- Emptying at any height
- Manual operation by hand wheel or endless chain (2,0 m dangling)
- Worm-gear mechanism laterally mounted, self-locking and maintenance-free with protective housing
- Safe lifting of barrel with bands, rubberised on interior with spindle lock
- Secured by chain to prevent slipping off forks
- Max. turning range of barrel: 360°
- Finish: paint colour RAL 2000



Design for steel und plastic barrels

Model	without holding box	with holding box
Max. load	400 kg	400 kg
Barrel Ø	570 mm	380/600mm
Fork pockets i/Li.	170 x 70 mm	170 x 70 mm
For distance i/Li.	690 mm	690 mm
with hand wheel	FKT-ST 40 HR	FKT-ST-K 40 HR
with chain hoist	FKT-ST 40 HK	FKT-ST-K 40 HK

Barrel turner for mounting on fork-lift truck with a max. load of 400 kg

Suitable for holding steel and plastic barrels with a Ø of 400-600 mm and max. height 1000 mm.

Barrel pick-up device:

Cradle-shaped with base plate, complies with new safety regulations to UVV or EU guidelines (CE declaration).

Lock:

by ratchet-lock strap and height-adjustable locking with spring bolt.

The barrel turner with fork-lift pockets is fitted with 2 x 12 V starter batteries, charger, control unit with main switch and electric drive system for turning movement with DC motor 24 V 0,55 kW, controlled via a trailing cable with control bulb.

Price on request! !



Barrel grab

The practical add-on unit for fork-lift trucks with re-designed grab head / automatic grab system

Description:

The barrel grab type "GREIFFIX" for fork-lift trucks is produced by MEILLER with a newly designed clamping system and is suitable for the versatile handling of upright barrels under rugged conditions. This add-on device for fork-lift trucks is recommended for handling large numbers of barrels (e.g. in production industry, seaports, chemical processing etc.) They are already in frequent use for the loading and unloading of trucks, barrel-storage containers, Euro and chemical pallets and many other purposes.

Function:

The "GREIFFIX" unit is positioned under the edge of the full upright barrel. The automatic clamping system closes and the barrel is lifted. The automatic clamping system releases the barrel when it is placed back on the ground.

Design:

- Complete with chain-securing device
- Chassis: paint colour RAL 2000
- Grab head with clamping system: galvanised

Type „GREIFFIX“

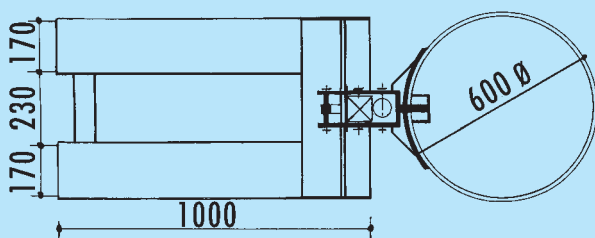
Fork-lift add-on device

- For 200-litre channel drums and lid barrels or 220-litre ring plastic barrels (please state exact application)

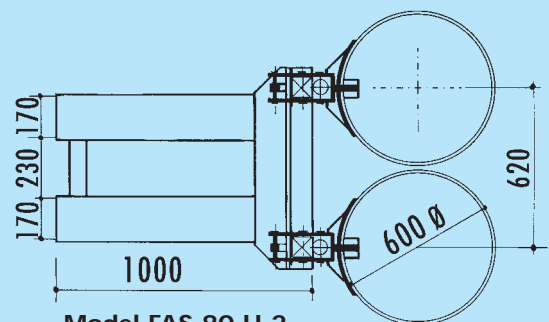


Technical data:

Art. no. FAS-40 H-1		Art. no. FAS-80 H-2	
Max. load	400 kg	Max. load	800 kg
Dimensions of fork-lift pockets	170 x 80 mm	Dimensions of fork-lift pockets	170 x 80 mm
Distance between forks centre - centre	400 mm	Distance between forks centre - centre	400 mm
Entry depth of fork-lift pockets	1000 mm	Entry depth of fork-lift pockets	1000 mm
Width of fork-lift pockets	580 mm	Width of fork-lift pockets	580 mm
Total width	580 mm	Total width	980 mm
Weight	78 kg	Weight	108 kg



Model FAS-40 H-1
for lifting 1 barrel
Max. load: 400 kg



Model FAS-80 H-2
for lifting 2 barrels
Max. load: 800 kg

Barrel grab

- add-on unit for fork lift -

- For 200-litre roll-hoop and channel drums
- With automatic locking system
- Model FA-M-1 for lifting 1 barrel
- Model FA-M-2 for lifting 2 barrels
- Grasps barrel by contacting the full barrel



Description:

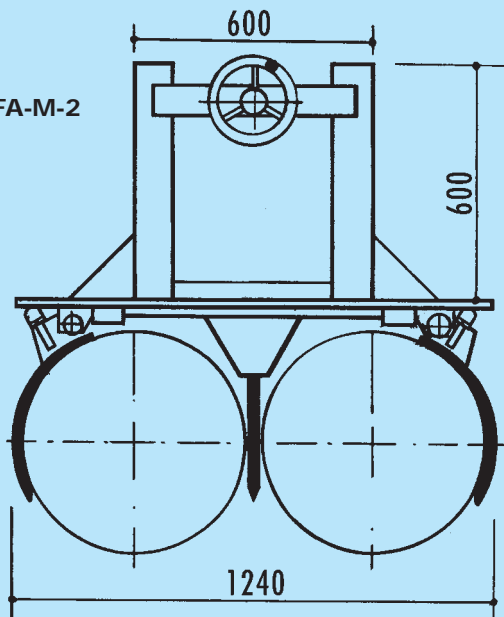
The barrel grabs of type FA-M-1 and FA-M-2 are mounted on the forks of the truck and locked in position with the wheel handle. The full 200-litre barrel is lifted by contacting the barrel body with the grab just beneath the centre channel or roll hoop. The pressure causes the grab arms to open diagonally upwards. As soon as they pass the centre of the barrel, they drop back and secure the barrel automatically. The truck driver then raises the barrel grab and the barrel rests securely locked in the grab arms.

The barrel is then deposited or removed in the reverse order.

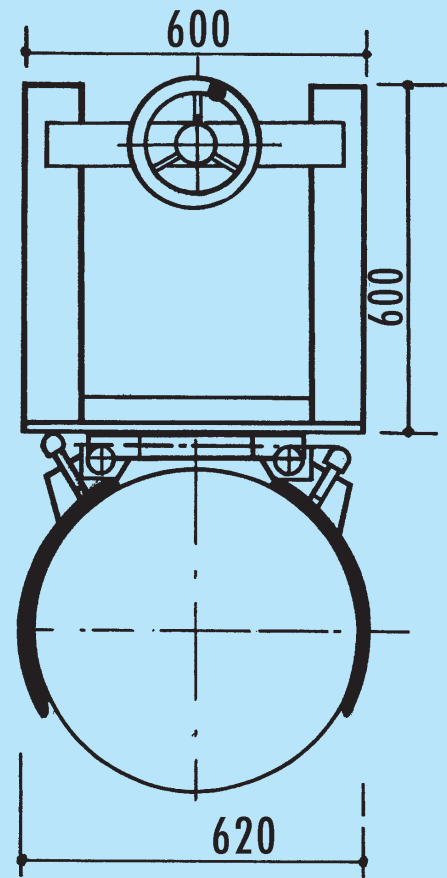
Finish: paint colour: RAL 2000



Model FA-M-2

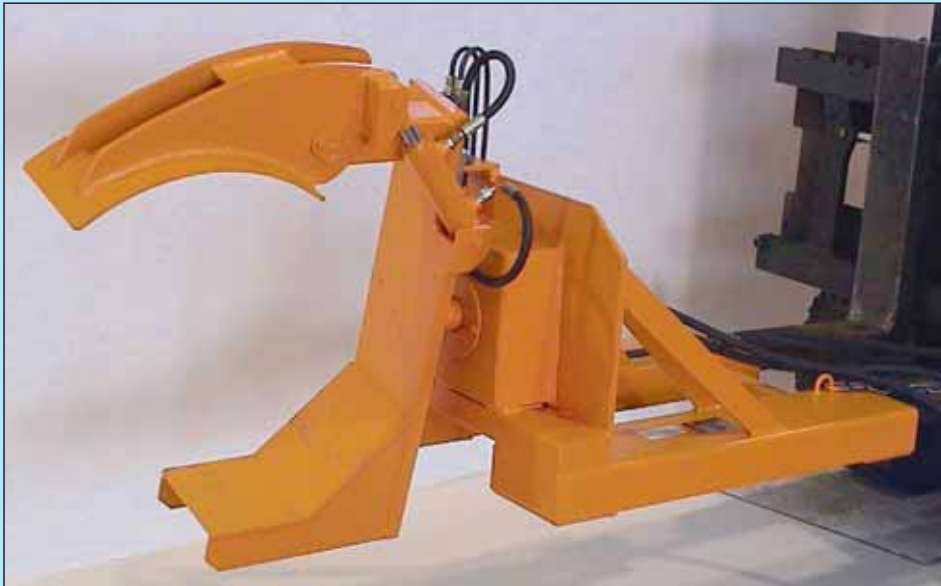


Model FA-M-1



Technical data:

Art. no. FA-M-1		Art. no. FA-M-2	
For lifting 1 barrel		For lifting 2 barrels	
Max. load approx.	600 kg	Max. load approx.	800 kg
Total width of fork-lift pockets approx.	600 mm	Total width of fork-lift pockets approx.	600 mm
Total length of fork-lift pockets approx.	600 mm	Total length of fork-lift pockets approx.	600 mm
Total width approx.	620 mm	Total width approx.	1240 mm
Weight approx.	75 kg	Weight approx.	85 kg



Barrel-grab and rotating device

Hydraulic-powered, for mounting on fork-lift

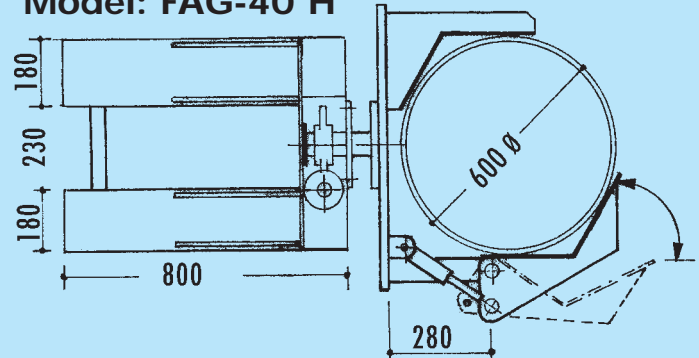
The practical add-on unit

The hydraulic barrel grab and rotating device has been specially developed for mounting on a fork-lift truck. All the parts required for the unit are supplied by the manufacturer, i.e. connections for hydraulic pipes and hoses / plug-in connections etc. The control valve however must be supplied by the customer (mounted on fork-lift). The rotating gear and hydraulic unit are encased for protection and comply with TÜV guidelines.

Finish: paint colour RAL 2000

Art. no. FAG-40 H	Max.load
Fully hydraulic with grab and rotating device, suitable for 200-litre barrels	400 kg

Model: FAG-40 H



Controlled from the fork-lift with an additional 4-way control block.

Barrel grab FRB

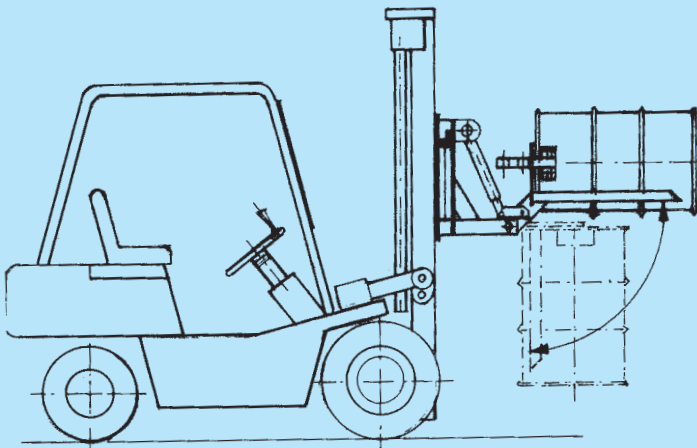
Controlled from the fork-lift with an additional 4-way control block.

Barrel grab FRB for grasping upright 200-litre barrels and placing them horizontally in store. Add-on unit for fork-lift for placing 200-litre barrels in barrel-storage shelves. Operation: the add-on unit grasps the upright barrel and deposits it in the store in the horizontal position. The automatic locking device allows the barrel to be placed in store on its side.

Finish: paint colour RAL 2000



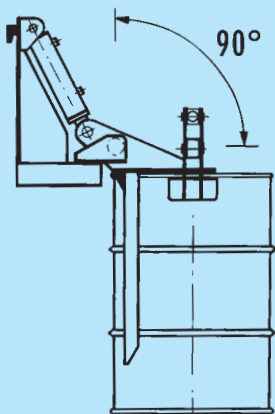
Technical data	
Art. no.	FRB
Max. load	300 kg
Length::	1700 mm
Width:	1025 mm
Height:	700 mm



Barrel manipulator Model FM-2 for mounting on fork-lift truck

- For lifting and transporting upright and horizontal 200-litrebarrels
- For loading and storing barrels in barrel shelves, filling points, shelf containers, hazardous-material pallets, collecting points, barrel-handling areas etc.
- Fully hydraulic function with additional 4-way control valve, with control block and opening for access to truck hydraulics, operated manually
- Fast installation and removal of manipulator in installation console of truck with bolted connection
- Finish: paint colour RAL 2000

Engaging plate



Technical data:	
Art. no.	FM-2
Max. load	400 kg
Weight approx.	160 kg
Projection with sloping forks	750 mm
Projection with extended forks	1240 mm
Overall width	750 mm

Model FM-2 for mounting on fork-lift hydraulic system by rapid-action coupling

Description:

The full barrel is lifted from the upright position by contact with the manipulator, then lowering the slide with the manipulator to the height of the barrel and clamping it by operating the control valve "CLOSE". The barrel is now firmly clamped on the barrel forks with holder and can be handled as required.



Adjustable beam
for boiler
with worm gear and hand wheel

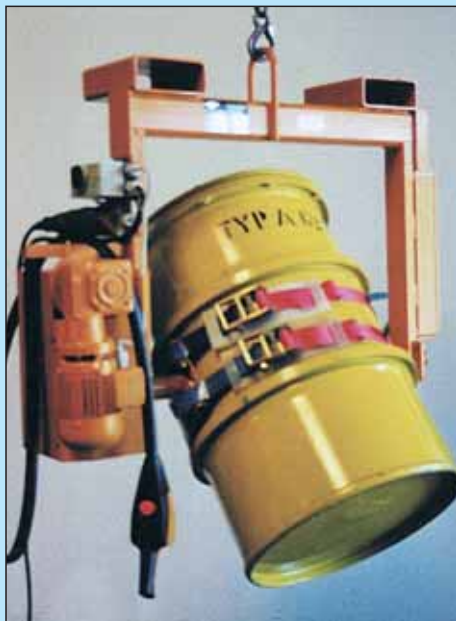
Special types



Barrel-tilting beam with electric drive



Adjustable beam
for storage container
with electric drive system



Lifting load:
by crane or fork-lift truck

Price on request



Load beams designed specifically for disposal drums – Max. load: 1,2 to.

- **Barrel holder:**
with barrel bands and ratchet-lock straps
optional with insert box and base
Lock with clamp band, spindle and hand wheel

- **Drive system:**
with heavy-duty worm -type spur-wheel gear, self-locking and maintenance-free with electrical attachment gear
Power 0,55 kW,
voltage 220-240/380-415 V

- **Control system:**
Motor-protection switch and control bulb
with optional push button (watchdog circuit)

Barrel mixing devices, electrically powered

for solid and liquid substances in barrels and containers with a Ø of 560/600 mm

Barrel mixing devices of type:

- with chassis wheel Ø 400 mm (solid rubber) and stand skids
- Holding cradle with twin barrel rollers of vulcanised rubber Ø 125 mm, ideal for thin-walled barrels
- Drive axle mounted on maintenance-free bearings, driven by 1 x with chain-wheel transmission to spur-wheel back-gear motor
1 x as loose drive unit on the opposite side
- Drive unit fixed permanently to leg of mixer, consisting of a spur-wheel back-gear motor, power 0,37 kW, Motor voltage 220-242/380-420 V, 50 Hz, IP 44
- Barrel rotation = 8,5 R.p.m., or as required
- Control system:
for **one** direction with ON-OFF motor-protection switch
for the **left-right** direction with reversing protection via push button, optional reversing switch
- Push-in safety housing, 2-parts with limit switch to UVV to UVV (see detail drawing)
- Function: the mixing process can start only when the 2 side safety elements are locked into position.
- Finish: paint colour RAL 5015

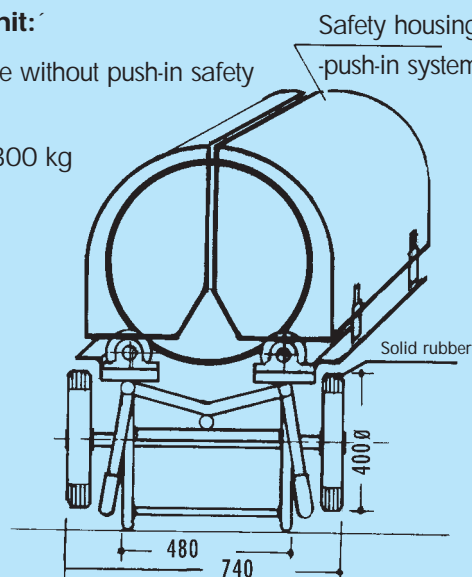


Barrel mixing unit, art. no. FB-36H/1+2

Function unit:

also available without push-in safety housing!
Safety housing -push-in system-

Max. load: 300 kg



Art. no.	Description
FB-36 H/1	Barrel mixing unit
Control system	for one rotation direction with ON-OFF motor-protection switch

Art. no.	Description
FB-36 H/2	Barrel mixing unit
Control system	for two directions with left-right reversing protection

Art. no.	Description
FB-36 H/Ex	Barrel mixing unit
Control system	for one rotation direction with ON-OFF motor-protection switch in explosion-proof T3 Zone 2 to ATEX

Barrel rolling-frame mixer

Stationary with collector tank incl. strap and locking device.

Paint colour: RAL 5015

Electric drive: with gear motor and reverse-turn lock,

Power = 0,37 kW; Voltage = 220/380 V;

Control system: with ON-OFF motor-protection switch

Track-guided rolling frame Ø 130 mm: with adjustable spring-loaded tensioning rollers.

Barrel rotation = 6,5 r.p.m. or as required.

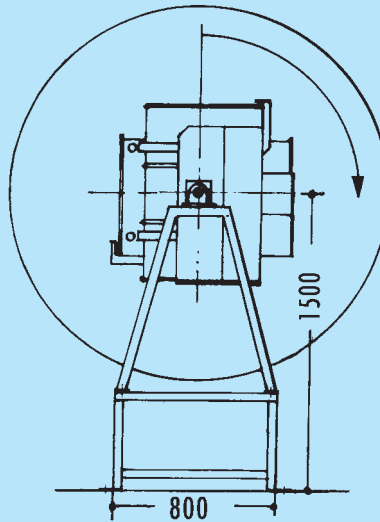
Art. no.	Description
FR-M	Barrel rolling-frame mixer

As above but incl. explosion protection to guidelines 94/9/EG (Atex 95) with explosion-proof motor and switch devices. Zone 2 stainless-steel rollers with wheel flange (notch-impact tested)

Art. no.	Description
FR-M-EX	Barrel rolling-frame mixer, explosion-proof version



Barrel rolling-frame mixer, art. no. FR-M



with safety grid

Barrel mixing station manufactured to customer specification

with 2 loading stations in the form of cradles for holding 200-litre barrels, with optional replaceable inset for smaller barrels, containers or drums.

The loading stations are offset from one another by 90° to allow materials in liquid, granular or solid form to be mixed separately from one another.

Drive: with worm-gear motor and hollow shaft, power 1,5 kW, voltage 230/400 V delta / star.

Control system: manually controlled for the desired operations; located in control cabinet with main switch EMERGENCY STOP (acc. to UVV guidelines).

Safety housing: made to specification and dimensions required acc. to UVV.

Note: also available in explosion-proof version (EEX de II BT) acc. to ATEX 1109 Zone 2+1.

LIFTING AND TURNING STACKER TRUCK

Explosion-proof type to ATEX zone 2

Sturdy truck design for a max. load of 600 kg



Explosion-proof type to guidelines 94/9/EG ATEX Zone 2 with pneumatic lifting cylinder, fully installed with one-way restrictor valve and manual distributing valve for height adjustment. .

Chassis: with electrically conductive running and swivel wheels.

Turning gear unit: with worm-gear transmission 1:80, mod. 3 of MS fixed permanently to turning unit with forks for load. The turning device (up to 360°) is operated by hand wheel.

The safe way to stack barrels

The high-lift trucks have been specially developed for the safe stacking of barrels in stores. They are available in two types with a lift height (shelf entry height) of between 230 and 2200 mm.

Design:

With push-under chassis, max. load 300 kg, distance between chassis bars 800 mm, height of chassis bars 85 mm. All MEILLER high-lift trucks comply with the regulations BGV for industrial transport trucks.

Function:

In all models, the upright barrels are clamped manually by adjusting spindle with removable hand crank. The lifting movement and angle of turning jib are controlled by a manual or electric hydraulic system depending on model by means of a hand switching device.



for stacking shelves

High-lift truck for 200-litre steel barrels.

Art. no.	Description	Design
FRB-1/HI	High-lift truck, manual-hydraulic lift, manual manoeuvring, lift height 1500 mm, chassis height 85 mm, chassis width 850 mm, Dimensions (L x H) 1420 x 1850 mm, max. load 300 kg with single mast	with single mast
FRB-1/HII	High-lift truck, manual-hydraulic lift, see above, but incl.: lift height 2200 mm, dimensions (L x H) 1420 x 2550 mm	with single mast
FRB-1/H-T	High-lift truck, manual hydraulic lift see above, but incl.: lift height 2200 mm, dimensions (L x H) 1420 x 1950 mm	with telescopic mast
FRB-2/EI	High-lift truck, electrical hydraulic lift, manual manoeuvring, lift height 1500 mm, chassis height 85 mm, chassis width 850 mm, dimensions (L x H) 1420 x 1850 mm, max. load 300 kg	with single mast
FRB-2/EII	High-lift truck, electrical hydraulic lift, see above, but incl.: lift height 2200 mm, dimensions (L x H) 1420 x 2550 mm	with single mast
FRB-2/E-T	High-lift truck, electrical hydraulic lift, see above, but incl.: lift height 2200 mm, dimensions (L x H) 1420 x 1950 mm	with telescopic mast

High-lift truck with telescopic mast in shelf-entry position



Type FRB-1/H-T

For electrically operated type
-please enquire-

Type FRB-1/H-T



High-lift truck with telescopic mast in tilt position.



Type FRB-1/HI

manual manoeuvring

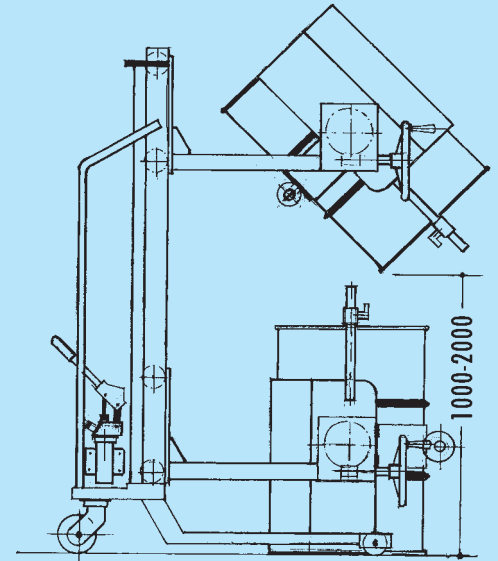
High-lift truck with single mast in barrel-lifting position.



With electric travel-drive, electrical-hydraulic lifting and turning device manually operated.



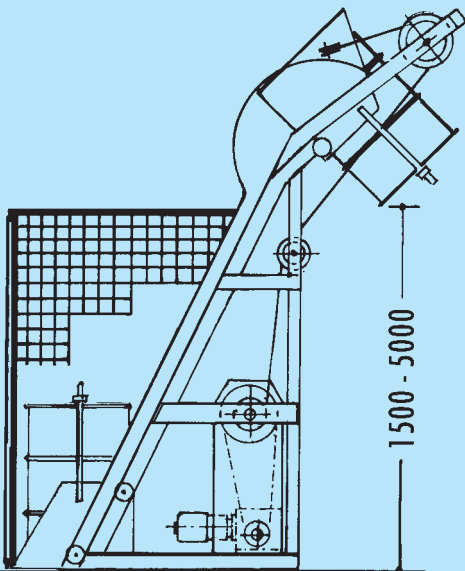
Manoeuvrable with electrical-hydraulic lifting and barrel-turning device manually operated



Manoeuvrable with manual-hydraulic lifting and barrel-turning device manually operated.

- For transporting barrels
- For emptying barrels with fluids of all types

Barrel lifting and tilting device, type MHK-2500



Barrel lifting and tilting unit stationary type MHK-2500

Lifting device:
with electric drive
with safety fencing
incl. access doors
acc. to TÜV guidelines

Control system:
with push-button watchdog and limit switch
Max. load: 300 kg

Barrel lifting and tilting device type MHK mobile or stationary with manual or electric drive

manufactured from strong structural-steel profiles depending on size, tipping height and max. load.

Suitable for:

- lifting steel and plastic barrels
- loading hoppers, containers and filling machinery

The upright barrels are fed in manually or automatically via conveyor system.

The tipping height can be varied from 1500 mm to 5000 mm (depending on requirement)



Barrel lifting and tilting unit stationary with electric drive for storage containers

-please enquire-

Max. load: 300-1000 kg



Barrel-storage system - base unit with 2 storage levels, compartment load = 1920 kg, adjustable in height for storage of 4 horizontal and 6 vertical 200-litre barrels, with optional add-on unit for a total of 8 horizontal and 12 vertical barrels.

Dimensions:

Basic unit, W x T x H = 2862 x 1300 x 2500 mm

Add-on unit, W x T x H = 2786 x 1300 x 2500 mm

The units are supplied with collector tanks to WHG and General Construction Approval no. Z-38.5-168 for installation indoors, i.e. it must be ensured that the storage systems are installed only in open protected rooms with natural ventilation.

We also supply the following accessories:

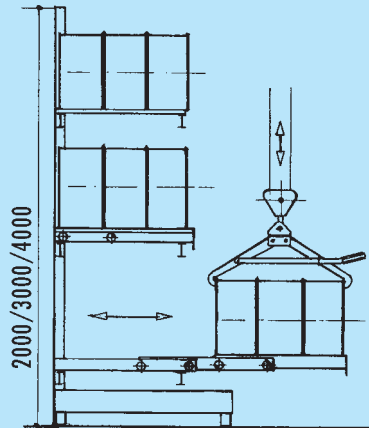
- Galvanised grids for covering storage surfaces
Art. no. 1465
- Barrel rests, fully extendable, galvanised, for loading by crane or fork lift truck
Art. no. 1072-H
- Barrel rests, fully extendable, as above but painted to requirement
Art. no. 1071-H



Approval: Z-38.5-168



Art. no. 1064-H



Barrel rests fully extendable



Barrel rests retracted - **Art. no. 1071-H**



Can holder, galvanised
Art. no. 1339



Barrel rest, rolling, galvanised
Art. no. 1335

**Barrel tool
WERAX:**

for clean and simple emptying and filling of barrels with clamp lock for high and low-viscosity media.



Barrel rests fully extendable for re-equipping - **Art. no. 1071-H**

Art. no.	Type
WERAX/VITON	with Viton seal
WERAX/VITON/T	with Viton seal and dead-man's position



Full pallet extension = 100%

Pallet extension drawer = 100 % (see fig.)
Max. load: 500 kg per extension

Extension drawer

Shelf depth	Width	Useful depth	Useful width	Max. load
1300 mm	1340 mm	1020 mm	1220 mm	500 kg

Pallet extension drawers for light and heavy loads

For re-fitting pallet shelves with one-sided 2/3 extension for up to 1000 kg maximum load and with full extension of 100% with a maximum load of 500 kg.

The pallet drawers are characterised by quick access and simple uncomplicated handling.

The pallet drawers are installed in the shelves taking exact account of the maximum loads. It must be ensured that the support beams of the pallet shelves are of sufficient size and strength. If necessary obtain a structural certificate.

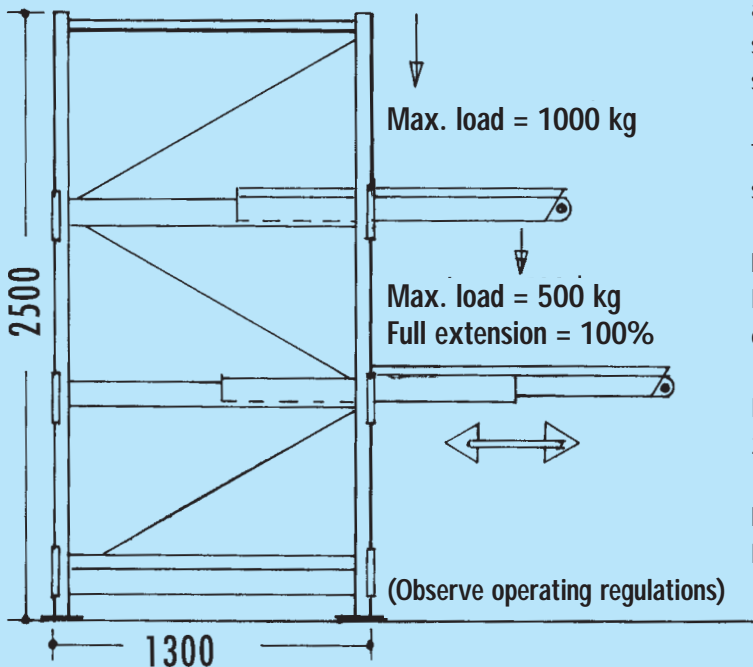
The pallets can be placed in the store by crane or fork-lift in such a way as to save space (due to the extension drawer).

Function and operation:

If there is more than one drawer unit in the bays on one level, only one extension should be pulled out at any one time.

Each extension has an extension stop with lock to UVV-BGB 234.

Prices: on request according to quantity, dimensions and max. load



- Special sizes on request -



Heavy load 2/3 extension

Pallet drawer with a 2/3 extension (see photo)

Max. load: 1000 kg per drawer

Drawer

Shelf depth	Shelf width	Useful depth	Useful width
1300 mm	870 mm	1220 mm	820 mm
1300 mm	1340 mm	1220 mm	1220 mm
900 mm	1340 mm	820 mm	1220 mm

Work and installation platforms - folding and rigid types



- Safety tested to BGV-BGR 500 and UVV of Liability Insurance Assoc.
- for use with fork-lift truck with fork pockets and locking bolt to prevent accidental slipping (see diagram).
- Technical description: standing surface as non-skid basin, designed for 2 persons.
- The folding structure is erected and dismantled in a few easy movements using a folding clamping and locking system for added safety.
- The folding rear wall is fitted with a safety grid
- Maximum load: 300 kg (2 persons)
- Surface: paint colour RAL 2000

Construction of a work platform



Art. no.	Description	Dimensions
AB/M	Work platform, folding	L x W x H 1000 x 1200 x 1890 mm
AB/M-ST	Work platform, rigid	L x W x H 1000 x 1200 x 1890 mm
AB/M-ST-KR	Work platform, rigid Type: for crane	L x W x H 850 x 1200 x 2250 mm
AB/M-ST-S	Work platform, rigid Type: narrow	L x W x H 1200 x 850 x 1890 mm

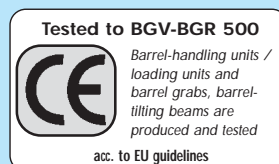


With wheel set

Wheel set: polyamide
 2 x fixed wheels Ø 150 mm
 2 x swivel wheels Ø 150 mm with brake

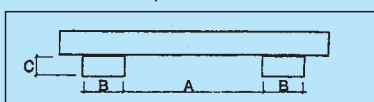
Model: AB/M-ST-S

Accessories		
Art. no.	Description	Dimensions
AB/M-W	Tool shelf	
AB/M-R	Wheel set polyamide	2 fixed wheels Ø 150 mm 2 swivel wheels with brake



Standing base suitable as fork pockets

- A = 600 mm
- B = 200 mm
- C = 80 mm



Crane-suspendable type
 Model: AB/M-ST-KR

The ideal storage and transport system for cranes and fork-lifts



Long-material cassettes

- Storage and transport of material in rod or bar format
- Max. load, 2000 kg each
- Stackable in 6 tiers
- Fitted with standard fork-lift pockets and crane lifting rings
- Perfect protection for long-format material during storage and handling
- Enclosed type ideal for storing shorter lengths

Welded steel-sheet construction with fork-lift pockets and rings for crane suspension. Colour: RAL 6011/RAL 5010. These cassettes are perfect for the safe transport of long material of steel, plastic etc.

Long-mat. cassettes		Short	Medium	Long I	Long II	Very long
Length approx.	mm	1500	3500	4000	5000	6100
Dim.: L app.	mm	680	680	680	680	680
	W app.	mm	490	490	490	490
Full height	mm	300	300	300	300	300
Full width	mm	500	500	500	500	500
Fork-lift pockets						
Centre distance	mm	740	740	740	740	740
Fork-lift pockets		185 x 75				
Interior size	mm					
Weight approx.	kg	55	95	105	124	146
Art. no.		1500	1501	1502	1503	1505



Chassis

Max. load 650/1400/2000 kg

For efficient plant-internal transport.

Material: welded steel profiles. Colour: RAL 6011/RAL 5010
2 swivelling and 2 fixed wheels with solid rubber tyres on steel rims. Max. loads = 650/1400 kg, with Vulkollan = 2000 k



Chassis		short	medium /long	very long
Sizes: length width height	mm	1280	1880	3000
	mm	650	650	650
	mm	500	500	500
Max. load 650 kg Wheel-Ø 200 mm Solid rubber	Weight	33 kg	49 kg	
	Art. no.	1600	1700	
Max. load 1400 kg Wheel-Ø 200 mm Solid rubber	Weight	36 kg	52 kg	66 kg
	Art. no.	1601	1701	1801
Max. load 2000 kg Wheel-Ø 200 mm Vulkollan	Weight	58 kg	74 kg	88 kg
	Art. no.	1602	1702	1802



Loading stand

For easy loading of cassettes
Just place material on stand and lift the cassette under it.
Paint colour: RAL 6011/RAL 5010
H x W: 1100 x 540 mm
Weight: 21 kg

Art. no.
1703 (pair)



Hook-in doors

Front closing for storing residual and cut material.
When not in use, can be hooked to the lengthwise side.
Paint colour: RAL 6011/RAL 5010
Weight: 4,0 kg

Art. no.
1504 (pair)

Compartment divider for crosswise division of cassette, push-in bolts: price on request!

For transporting and storing long-format material, basin shaped (also suitable for small-sized material). Stackable in 6 tiers, max. weight of contents 2000 kg.



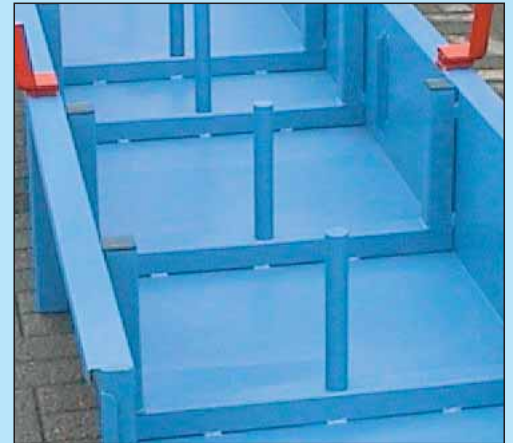
Storage and transport cassette

Stackable in several tiers with suspension rings and fork-lift pockets, additional interior lining with hook-in partition walls, suitable for small parts.



Storage cassette, special type

Stackable, with fork-lift pockets and extendable closing plates at front.



Storage cassette

with push-in dividers



Storage cassette with chassis



Heavy-duty chassis

Prices on request!



Art. no. KR-1



Art. no. KR-5

Crane jibs

for positioning load from above or for installing and removing machine components. Crane jibs increase the range of the fork-lift truck.

Locking bolt prevents accidental slipping.

Welded steel construction to UVV.

Surface:

paint colour RAL 2000 or hot galvanised to DIN EN ISO 1461

Overall width:

520 mm

Overall height:

600 mm

Size of fork-lift pockets:

200 x 80 mm

Inner dimens. of fork-lift pockets:

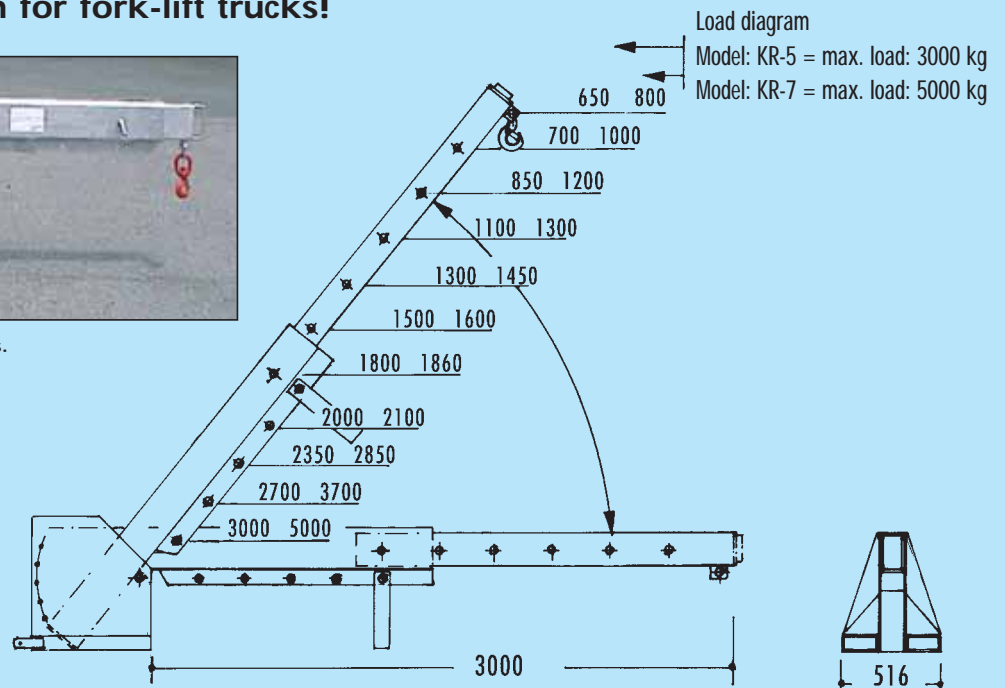
190 x 70 mm

	Max. load	Length	Painted Art. no.	Galvanised Art. no.
Rigid type	2000 kg	2000 mm	KR-1	KR-2
Rigid type, 6 length settings	650 – 3000 kg	2000 – 3700 mm	KR-3	KR-4
5 height settings, 6 length settings	650 – 3000 kg	2000 – 3700 mm	KR-5	KR-6
5 height settings, 6 length settings	800 – 5000 kg	2000 – 3700 mm	KR-7	KR-8

The ideal versatile add-on for fork-lift trucks!

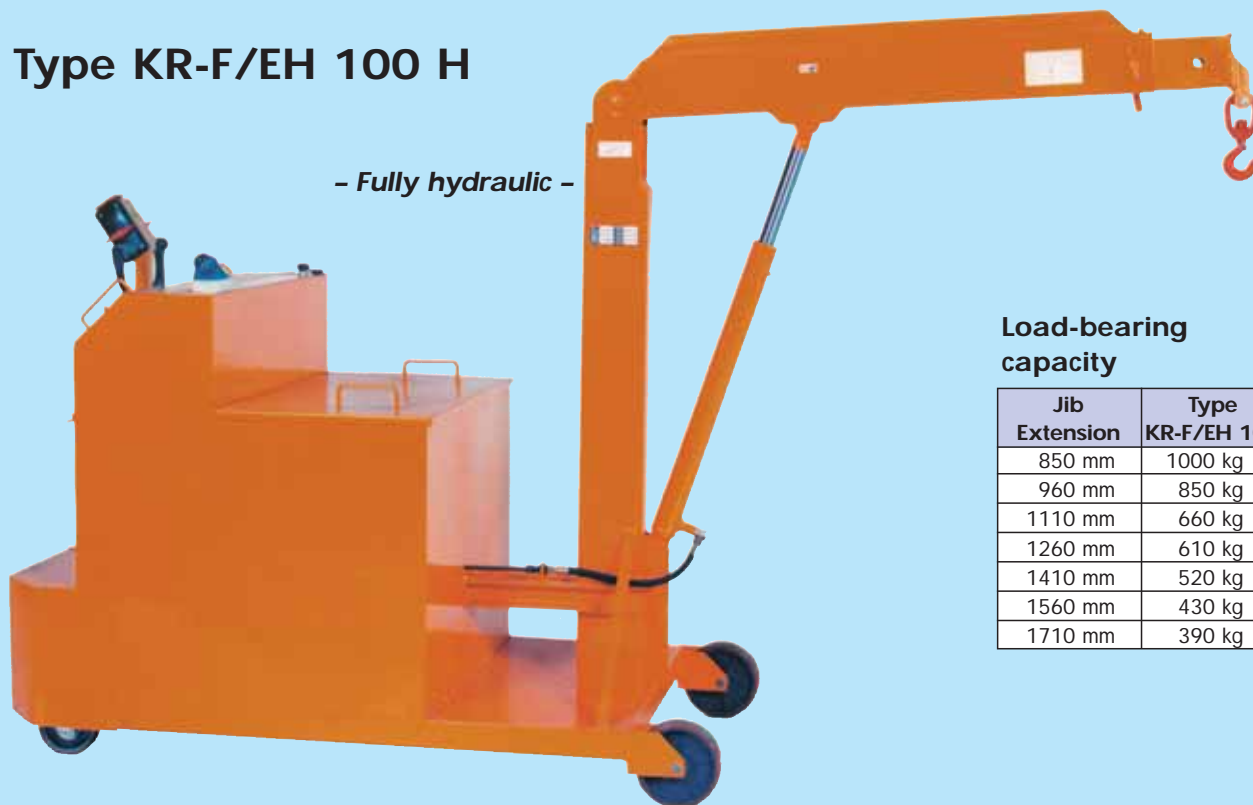


Crane jib 5 height settings, 6 length settings.



Type KR-F/EH 100 H

- Fully hydraulic -



Load-bearing capacity

Jib Extension	Type KR-F/EH 100
850 mm	1000 kg
960 mm	850 kg
1110 mm	660 kg
1260 mm	610 kg
1410 mm	520 kg
1560 mm	430 kg
1710 mm	390 kg

Workshop and assembly crane, bar-guided

Electric walking-pace drive system:

With planetary gears and electromagnetically released spring-force brake.

Guide bar:

With butterfly power switch and safety-impact switch, pneumatic spring.

Hydraulic system:

With permanently installed compact 24-V unit with start protector, hydraulic pump, adjustable pressure-control valve, oil tank and adjustable flow-control valve.

Electrical system:

Fully wired and installed with charging plug and key switch enclosed in a housing unit with cover for battery set and charging device. Design acc. to UVV with CE test in accordance with EU guidelines for machines 98/37/EG and BGV-BGR 500
Paint colour: RAL 2000

Workshop and assembly cranes, electrically

Art. no.	Description
KR-F/EH100	Workshop and assembly crane, fully hydraulic powered with electrical walking-pace drive unit, ready for operation, complete with counterweight. Max. load: 390/1000 kg acc. to load diagram

Technical data	
Dimensions L x W	1800 x 900 mm
Stroke (hook height) of jib	
retracted	850 - 2450 mm
extended	2800 - 3200 mm
Column height	1750 mm
Ballast counterweight	1150 kg
Max. wheel load	1600 kg
Drive wheel (Vulkollan)	Ø 270 mm



Special type:

All models also available with extended trolley legs. (See fig. opposite)



- Subject to technical modification -

- manually manoeuvrable -

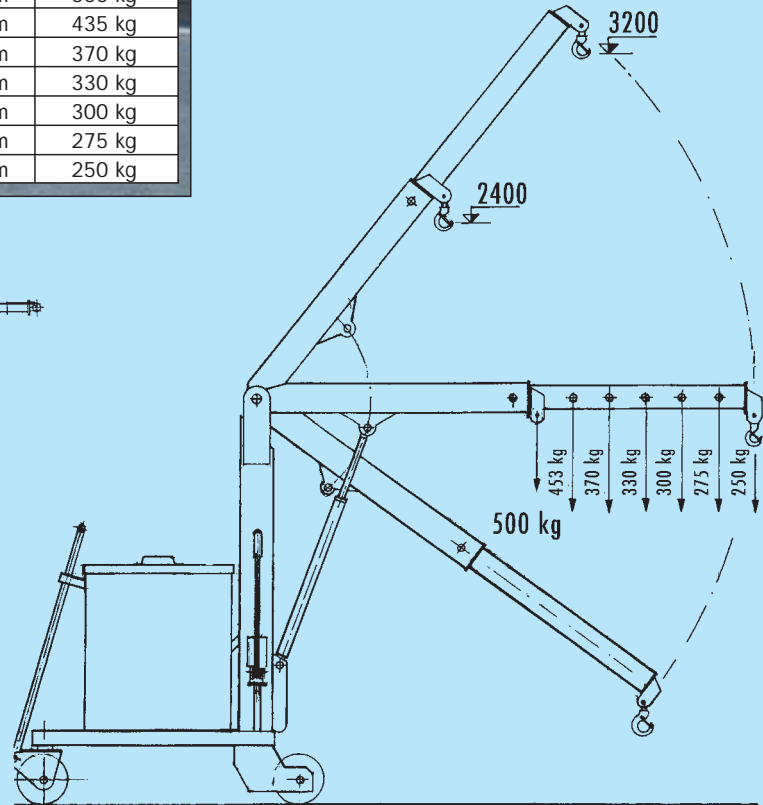
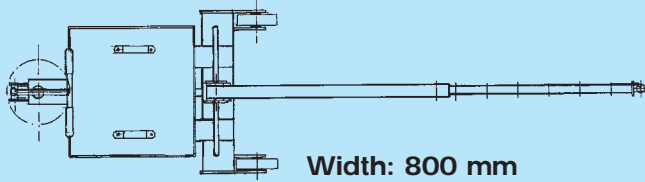


Max. load KR-F 50 H	
Projection in mm	Load in kg
860 mm	500 kg
1010 mm	435 kg
1160 mm	370 kg
1310 mm	330 kg
1460 mm	300 kg
1610 mm	275 kg
1760 mm	250 kg

Model: KR-F 50 H
Max. load: 500 kg

Manufactured and tested acc. to EU guidelines with CE declaration, to UVV and BGV-BGR 500

Paint colour:
 RAL 2000 yellow-orange
 Special finish on request



The all-rounder for universal use in workshop

- You can manoeuvre the load up to any machine, shelf, truck on cantilevered jib
- Suitable for confined spaces with guiding and drawing bar, manually manoeuvrable
- Manufactured of steel in compact design, with added ballast counterweight holder
- For filling with ballast acc. to table and load diagram

Design features:

- Telescoping jib with push-in bolts and spring-loaded pin (6 possible settings) with securing device, rotating load hook to DIN 15.401
- Lifting cylinder with hard-chrome plated piston rod
- Hydraulic pump with manual lever and precisely-adjustable venting valve

Trolley:

with integrated polyamide heavy-duty wheels 200 mm Ø.

For heavy loads:

now available with ratchet drive (Price on request!)

Trolley lock:

By raising guide bar and locking with spring bolt

Workshop and assembly crane, manually manoeuvrable

Column height	1750 mm
Wheelbase – length	1050 mm
Wheelbase – width	680 mm
Trolley – length	1250 mm
Trolley – width	800 mm
Highest hook position	
Crane jib, retracted	2400 mm
Crane jib, extended	3200 mm
Lowest hook position	
Crane jib, retracted	850 mm
Crane jib, extended	280 mm
Wheel-Ø	200 mm
Ballast counterweight for 500 kg	850 kg
Weight without ballast approx.	170 kg
Art. no.	
KR-F 50 H	
Ballast counterweight 850 kg	
Heavy-duty Vulkollan wheels with manufacturer's ball bearings	

- Subject to technical modification -

- manually manoeuvrable -

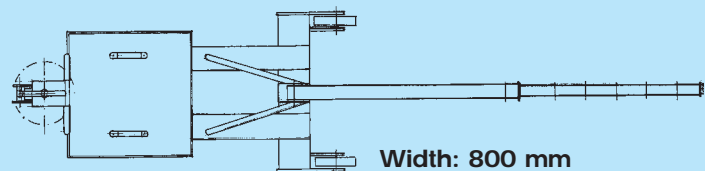


Max. load KR-F 100 H	
Projection in mm	Load in kg
860 mm	1000 kg
1010 mm	850 kg
1160 mm	660 kg
1310 mm	610 kg
1460 mm	520 kg
1610 mm	430 kg
1760 mm	390 kg

Model: KR-F 100 H
Max. load: 1000 kg

Manufactured and tested acc. to EU guidelines with CE declaration, to UVV and BGV-BGR 500

Paint colour:
 RAL 2000 yellow-orange
 Special finish on request



The all-rounder for universal use in workshop

- You can manoeuvre the load up to any machine, shelf, truck on cantilevered jib
- Suitable for confined spaces with guiding and drawing bar, manually manoeuvrable
- Manufactured of steel in compact design, with added ballast counterweight holder
- For filling with ballast acc. to table and load diagram

Design features:

- Telescoping jib with push-in bolts and spring loaded pin (6 possible settings) with securing device, rotating load hook to DIN 15.401
- Lifting cylinder with hard-chrome plated piston rod
- Hydraulic pump with manual lever and precisely adjustable venting valve

Trolley:

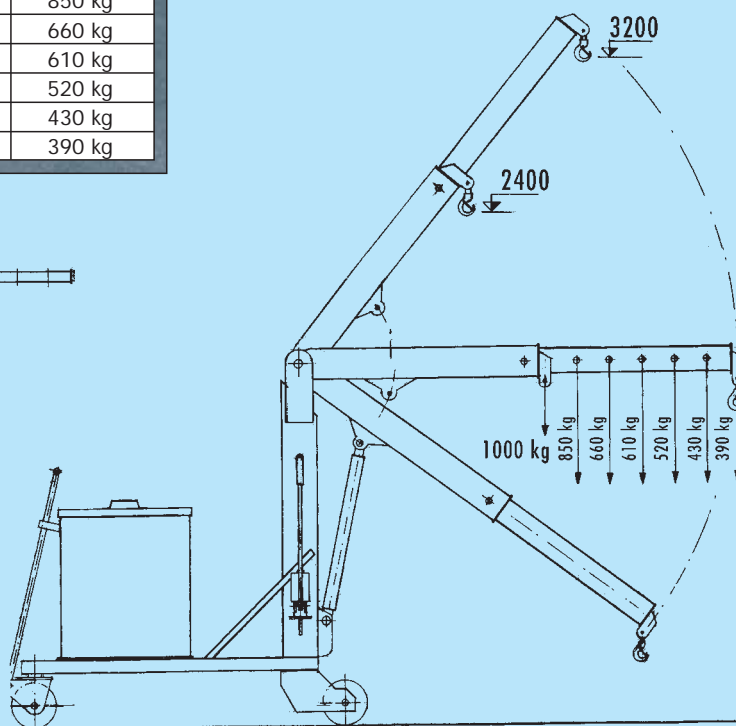
with integrated polyamide heavy-duty wheels 200 mm Ø.

For heavy loads:

now available with ratchet drive (Price on request!)

Trolley lock:

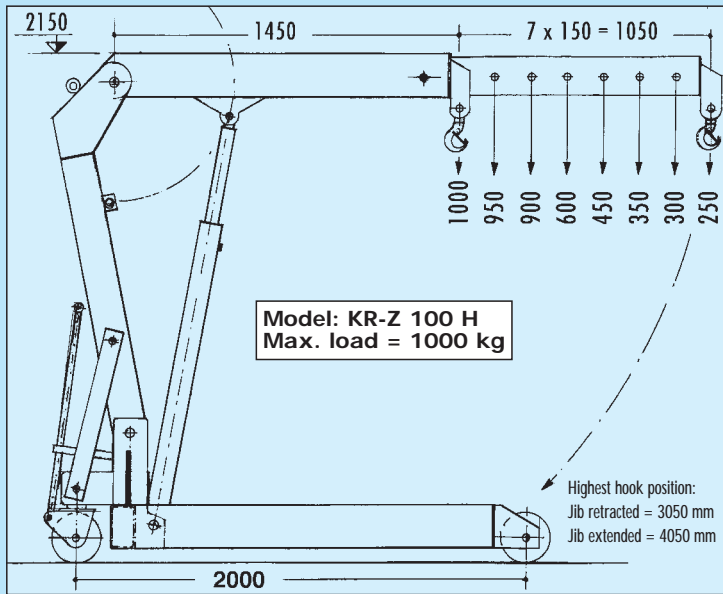
By raising guide bar and locking with spring bolt



Workshop and assembly crane, manually manoeuvrable

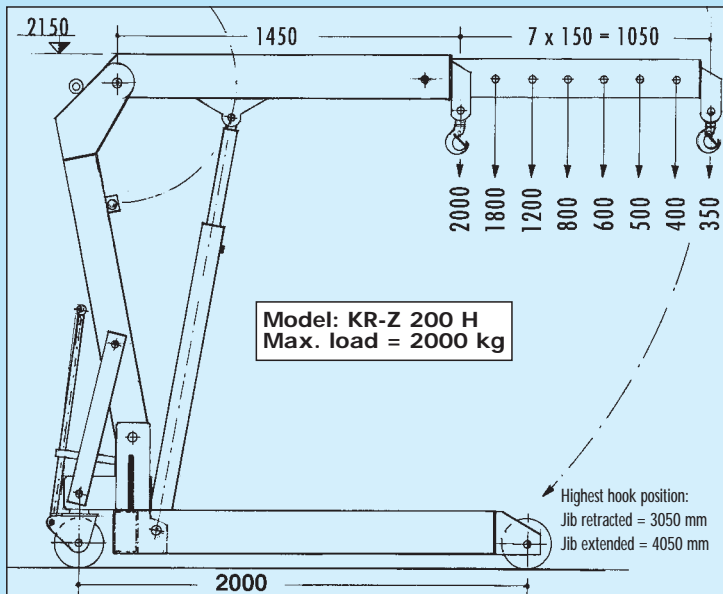
Column height	1750 mm
Wheelbase - length	1450 mm
Wheelbase - width	680 mm
Trolley - length	1650 mm
Trolley - width	800 mm
Highest hook position	
Crane jib, retracted	2400 mm
Crane jib, extended	3200 mm
Lowest hook position	
Crane jib, retracted	850 mm
Crane jib, extended	280 mm
Wheel-Ø	200 mm
Ballast counterweight for 1000 kg	1150 kg
Weight without ballast approx.	210 kg
Art. no.	
KR-F 100 H	
Ballast counterweight 1150 kg	
Heavy-duty Vulkollan wheels with manufacturer's ball bearings	

- Subject to technical modification -



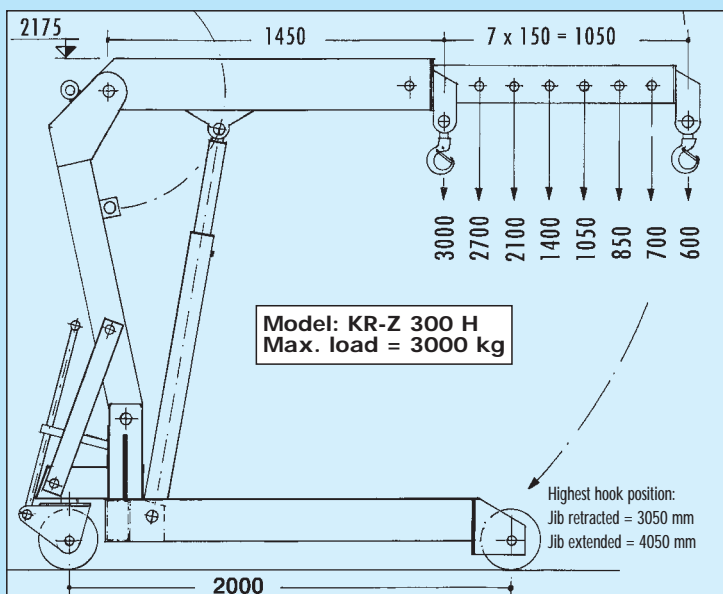
Industrial crane KR-Z 100 H

Column height	2150 mm
Wheel base – length	2000 mm
Wheel base – width	
Parallel	1100 mm
Diverging	1500 mm
Highest hook position	
Jib retracted	3050 mm
Jib extended	4050 mm
Lowest hook position	
Crane jib retracted	750 mm
Crane jib extended	280 mm
Overall height in folded pos.	600 mm
Wheel-Ø	200 mm
Weight approx.	230 kg
Art. no.	
KR-Z 100 H/G , diverging type	
KR-Z 100 H/P , parallel type	
Extra price: Heavy-duty Vulkollan wheels with manufacturer's ball bearings	



Industrial crane KR-Z 200 H

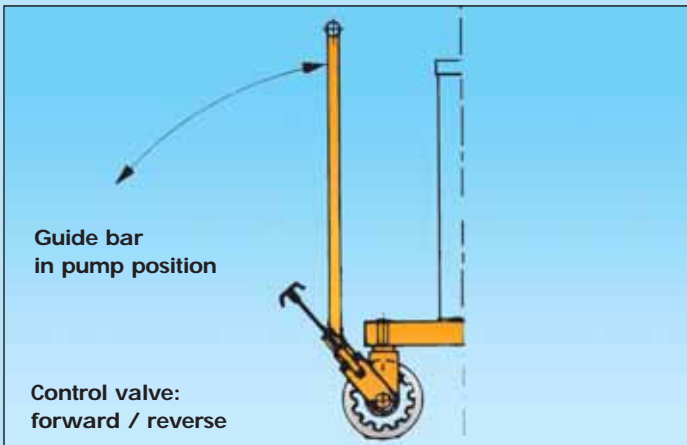
Column height	2150 mm
Wheel base – length	2000 mm
Wheel base – width	
Parallel	1100 mm
Diverging	1500 mm
Highest hook position	
Jib retracted	3050 mm
Jib extended	4050 mm
Lowest hook position	
Crane jib retracted	750 mm
Crane jib extended	280 mm
Overall height in folded pos.	600 mm
Wheel-Ø	200 mm
Weight approx.	330 kg
Art. no.	
KR-Z 200 H/G , diverging type	
KR-Z 200 H/P , parallel type	
Extra price: Heavy-duty Vulkollan wheels with manufacturer's ball bearings	



Industrial crane KR-Z 300 H

Column height	2175 mm
Wheel base – length	2000 mm
Wheel base – width	
Parallel	1300 mm
Diverging	1500 mm
Highest hook position	
Jib retracted	3050 mm
Jib extended	4050 mm
Lowest hook position	
Crane jib retracted	750 mm
Crane jib extended	280 mm
Overall height in folded pos.	600 mm
Wheel-Ø	250 mm
Weight approx.	460 kg
Art. no.	
KR-Z 300 H/G , diverging type	
KR-Z 300 H/P , parallel type	
Extra price: Heavy-duty Vulkollan wheels with manufacturer's ball bearings	

– Subject to technical modification –



Guide bar with ratchet drive for heavy loads (for cranes of all sizes)

Load diagram

Projection in mm	Max load in kg		
	KR-Z 100 H	KR-Z 200 H	KR-Z 300 H
1450 mm	1000	2000	3000
1610 mm	950	1800	2700
1760 mm	900	1200	2100
1910 mm	600	800	1400
2060 mm	450	600	1050
2210 mm	350	500	850
2360 mm	300	400	700
2510 mm	250	350	600

The multi-purpose industrial crane
Max. load: 1000 kg, 2000 kg, 3000 kg

for universal use in the factory, workshop or construction site. Manoeuvrable by hand, collapsible and fitted with hydraulic power unit for lifting.

Design features: rugged, torsion-free, steel construction of welded hollow profiles. Telescopic jib with 7 different settings and securing device. Rotating load hook to DIN 15401.



Can be assembled and dismantled in a few easy movements by means of socket pins

Chassis: with drawing and steering bar (forced steering rotatable on the spot) fitted with polyamide wheels of 200 - 250 mm Ø depending on max. load

Chassis-securing system: by raising the steering bar and locking it with spring bolt. Lifting cylinder suspended in pendulum position with hard chrome plated piston rod. Single-action hydraulic pump with finely adjustable venting valve. Maintenance-free.

Secured against overloading.

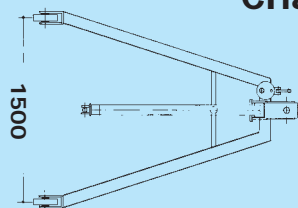
When erecting, proceed in the following order:

- 1) Move column and jib into upright position.
- 2) Connect column with diagonal ties and secure with socket pin.
- 3) Set up the hydraulic cylinder, connect it with the jib and secure it with socket pin.

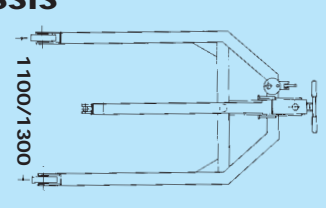
The crane can be dismantled in a few minutes by releasing the socket pins and proceeding in the opposite order. It can be folded down for easy transport or storage. The crane is delivered complete with oil charge in the folded state either by rail or road transport.

Finish: RAL 2000 – yellow-orange

Chassis



Type: diverging



Type: parallel

– Subject to technical modification –



MEILLER GmbH & Co. KG
Lifting, Storage and Environment Technology

Auf der Lake I · D-57392 Schmallenberg
Postfach 1320 · D-57378 Schmallenberg

Telephone +49 (0) 29 72 / 97 42-0
Telefax +49 (0) 29 72 / 97 42-20

www.meiller-umwelttechnik.de
info@meiller-umwelttechnik.de



